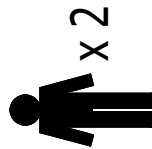
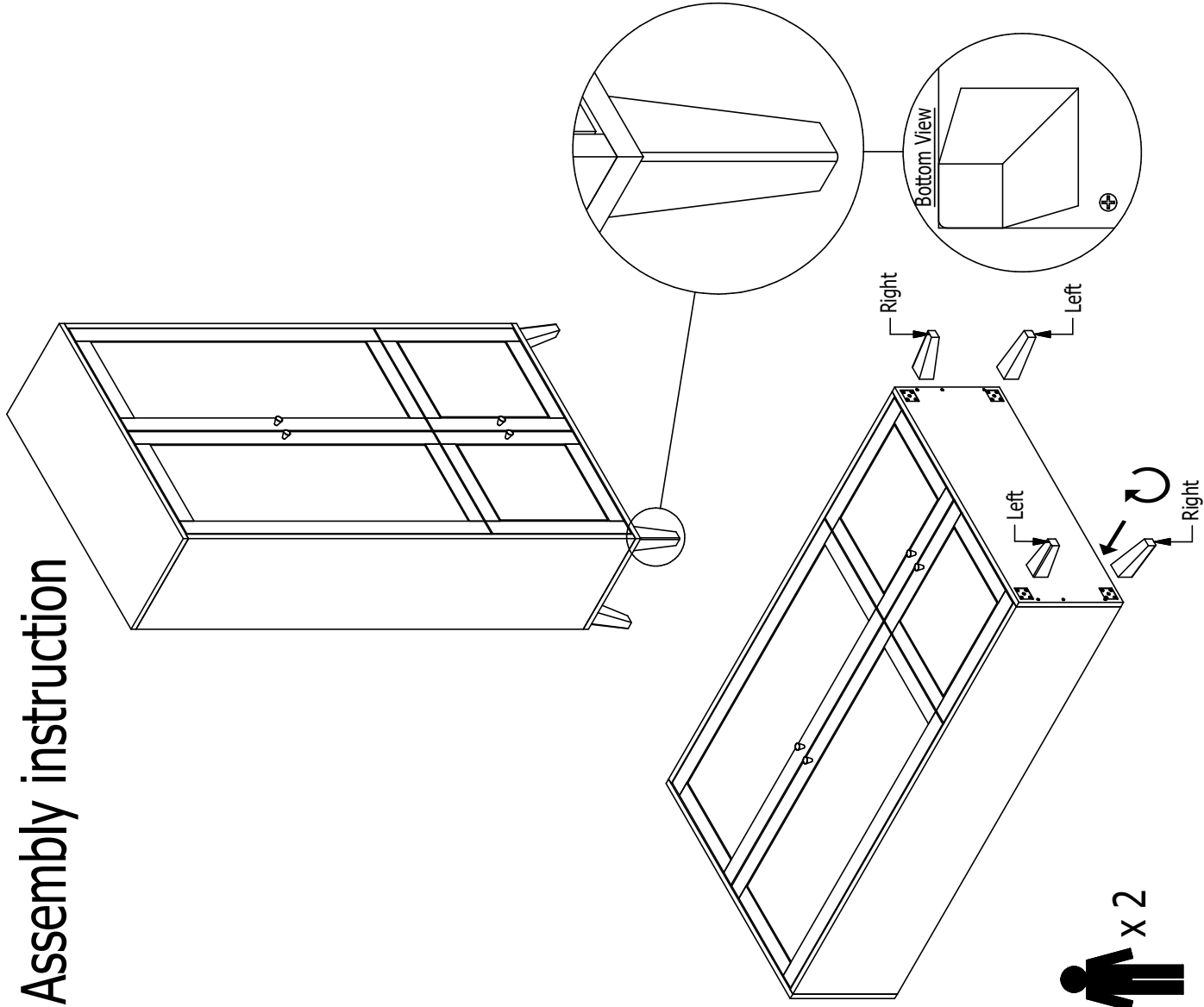
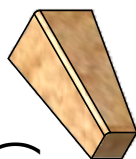

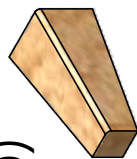
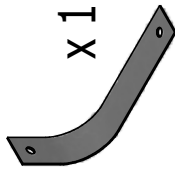





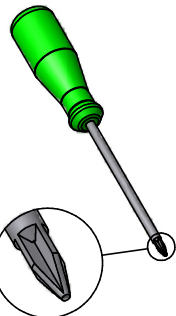
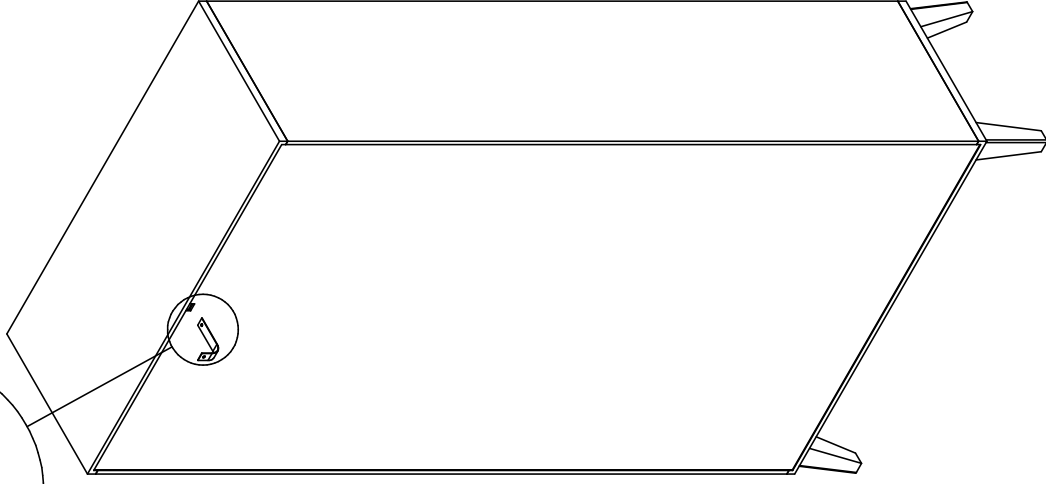
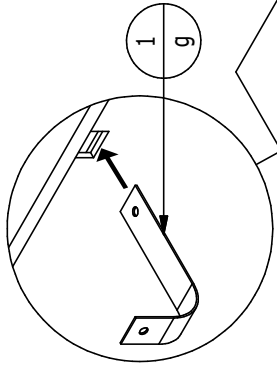


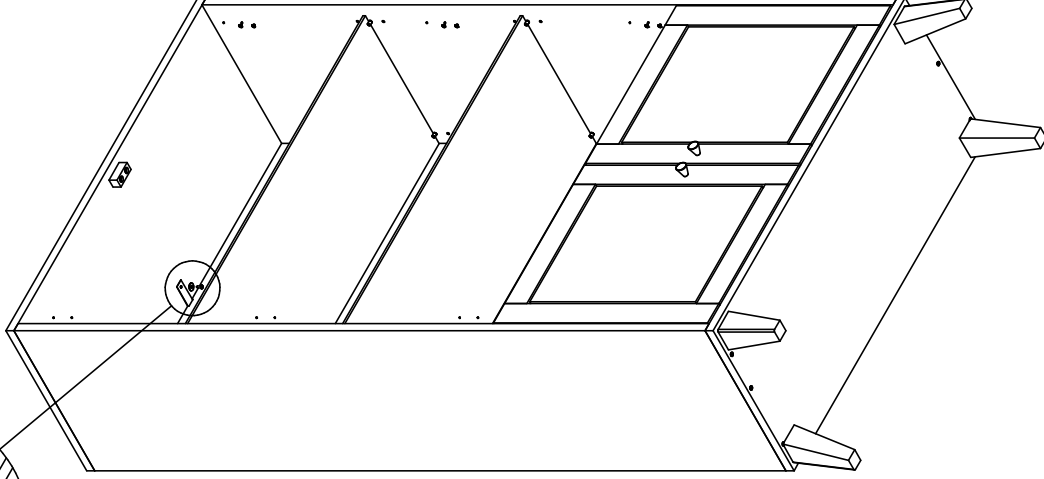
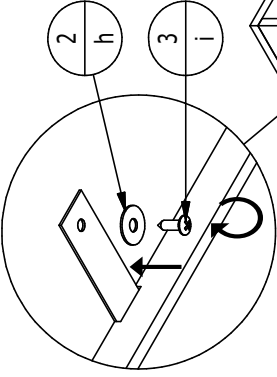
Assembly instruction



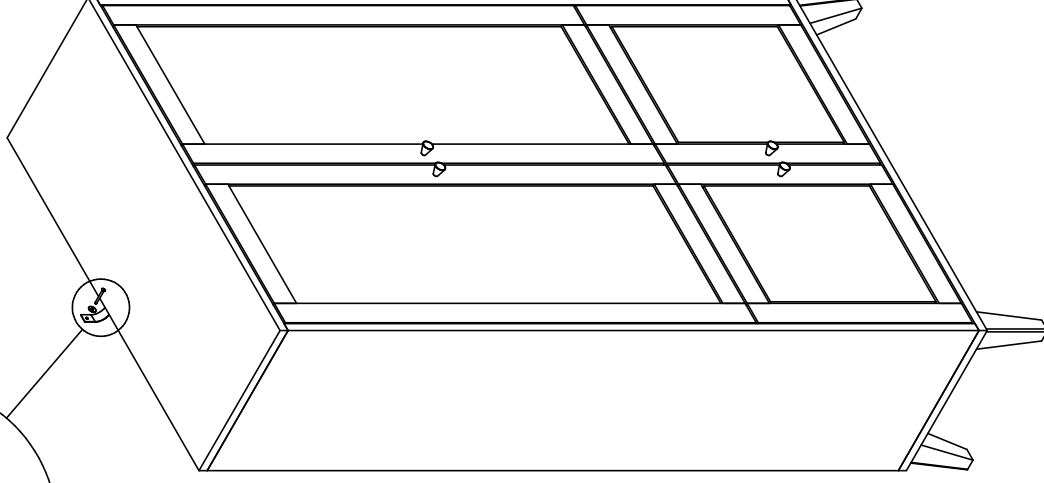
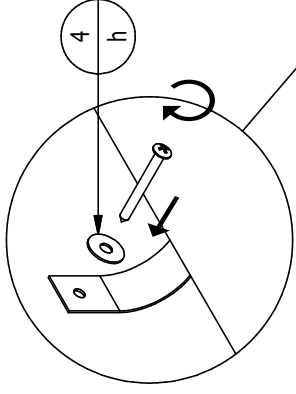
<p>a)  x 2 Left leg</p>	<p>f)  x 4</p>
<p>b)  x 2 Right leg</p>	<p>g)  x 1</p>
<p>c)  x 8</p>	<p>h)  x 2</p>
<p>d)  x 4</p>	<p>i)  x 1</p>
<p>e)  x 4</p>	
	



1) Pass the strap through a hole located in the back side of the highboard.



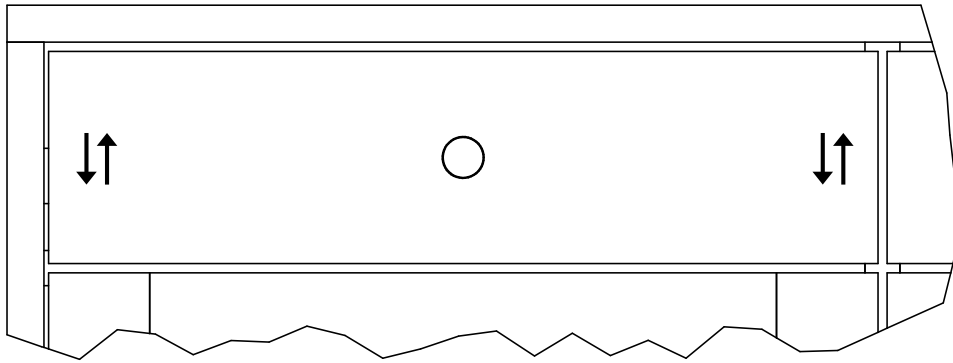
2) Fix the strap with the screw to the bottom side of the highboard top.



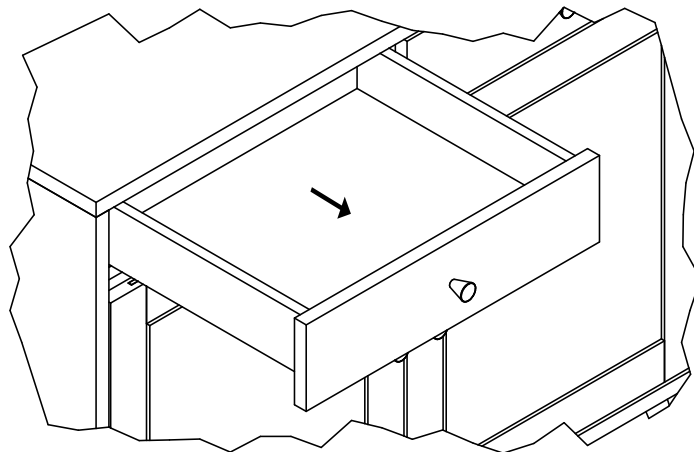
3) Fix the fixing strap on the wall (Fixing screw is not available)

Drawer Regulation Scheme

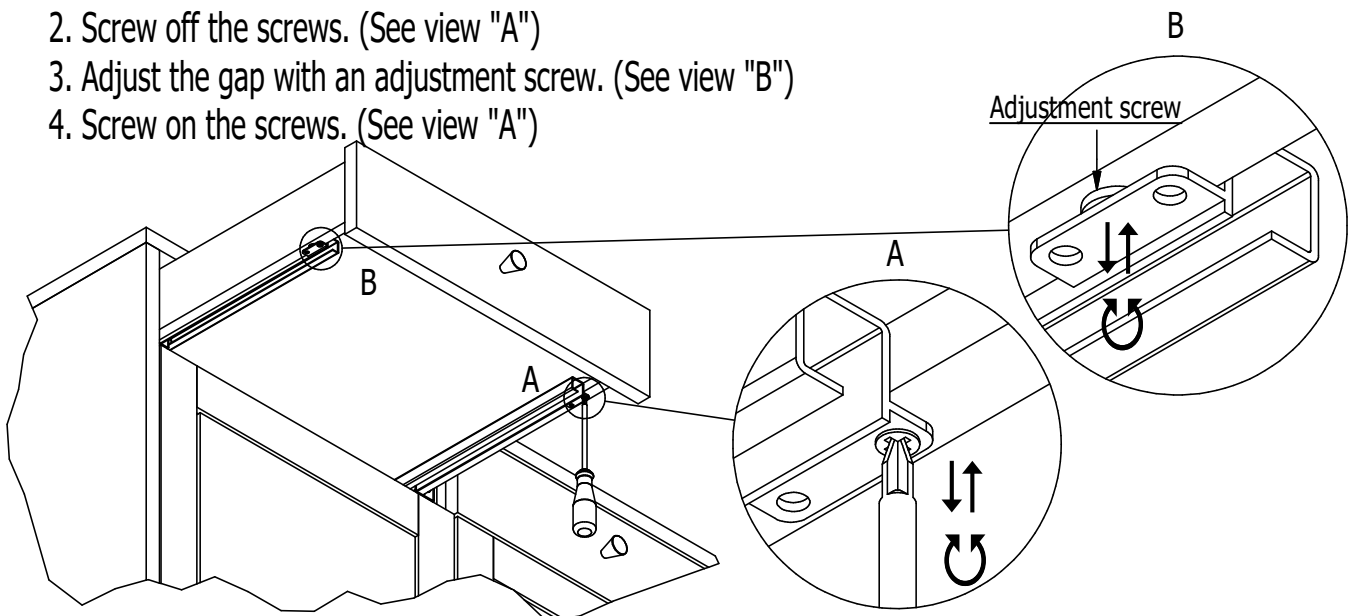
To make the equal gaps between drawers you need:



1. Open the drawer.

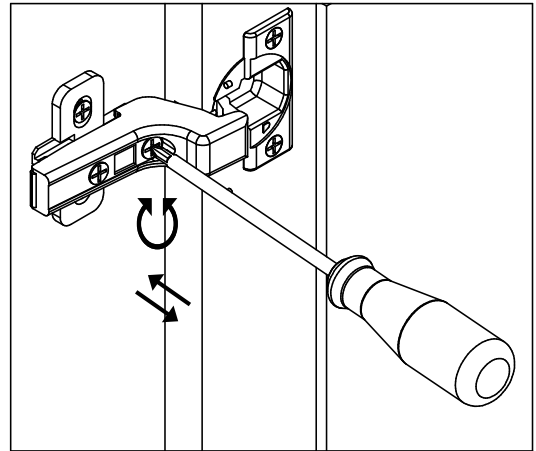
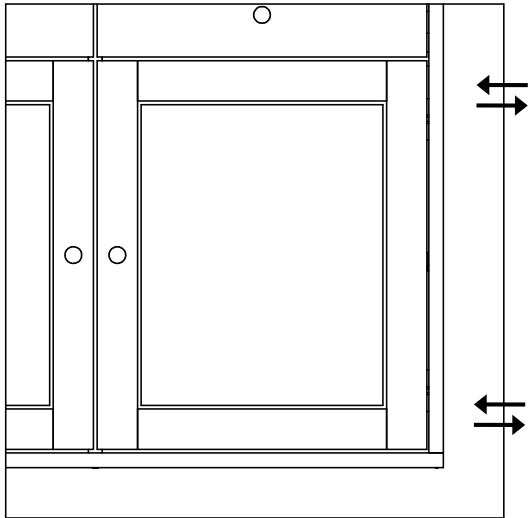


2. Screw off the screws. (See view "A")
3. Adjust the gap with an adjustment screw. (See view "B")
4. Screw on the screws. (See view "A")

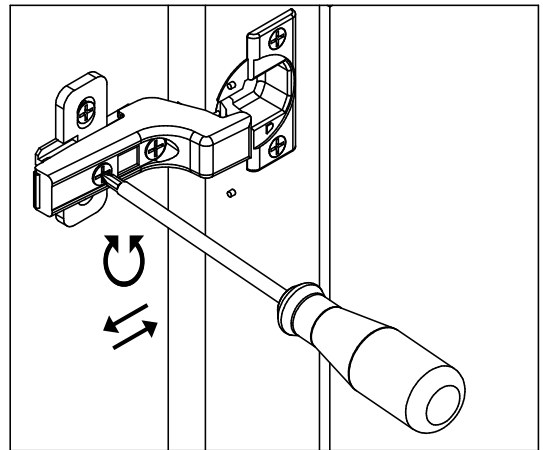
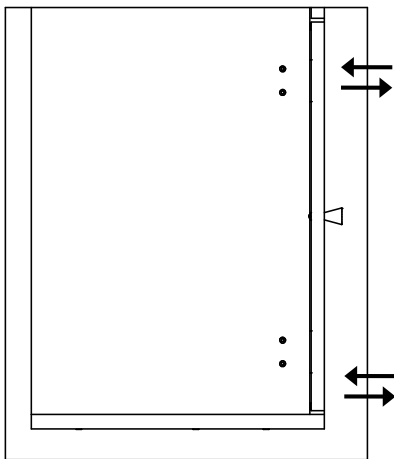


Door Regulation Scheme

①



②



③

